

Aladdin®

# EasyFit Isolator

Essential Kit  
for Plumbers!

Why use the Aladdin EasyFit Isolator?

The Aladdin EasyFit Isolator clamps directly onto live pressurised pipe (hot or cold), safely providing a full bore quarter turn valve (permanent stopcock), no need to restrict services or freeze pipes.



COPPER PIPE



PEX PIPE



POLYBUTYLENE PIPE



MULTI LAYER PIPE

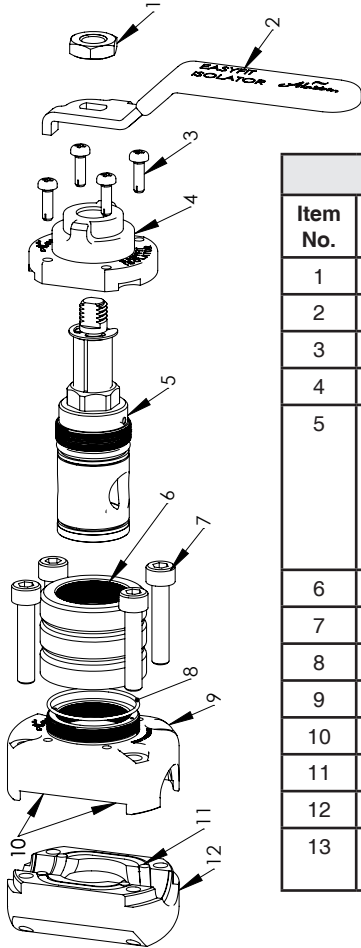


**WRAS**  
1910312 APPROVED  
PRODUCT

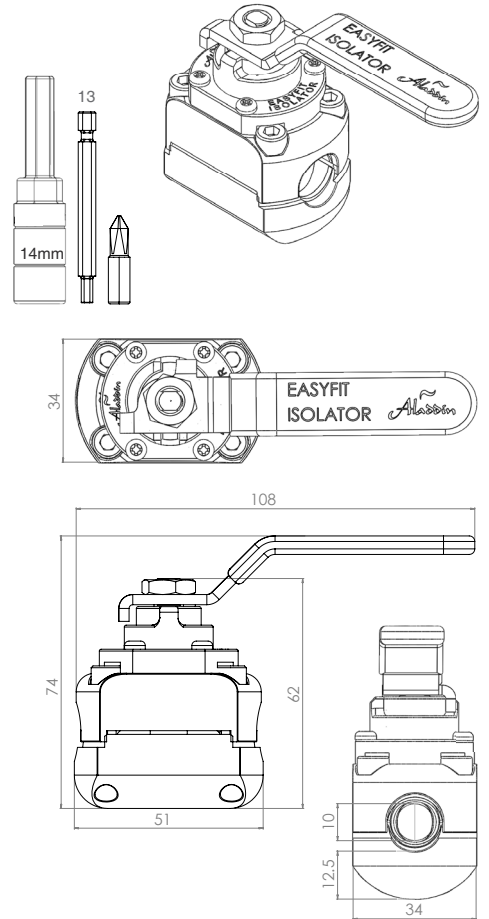
**‘WRAS approved Stopcock’**

The quick-fit plumbing isolation valve for pressurised pipe

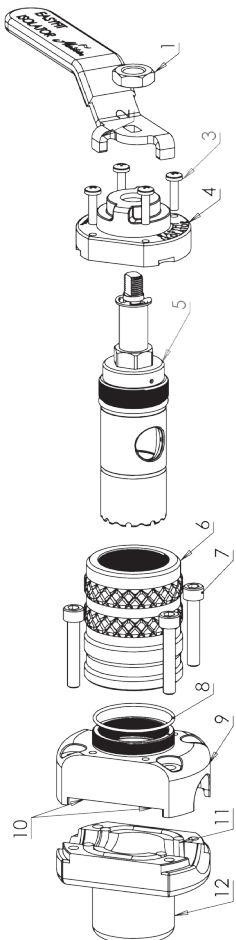
# Aladdin®



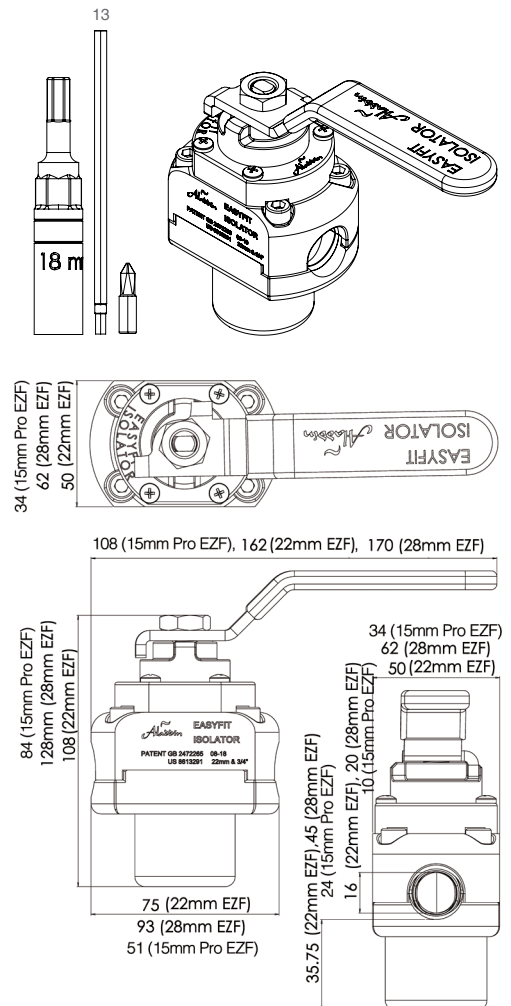
15mm Aladdin EasyFit Isolator		
Item No.	Descriptions & Materials (WRAS Approved EPDM Seals)	No. Units
1	M8 x 1.25 Hex Half Nut (Stainless Steel)	1
2	Red and Blue Handle	2
3	M3 x 10 Pozi Pan - A2 SS Machine Screw	4
4	Polyacetal Plastic Cap	1
5	Plug Assembly - High Tensile Brass Plug CZ114 Boot EPDM Shore 70, O-ring 8mm id x 2cs Nitrile Shore 70, O-ring 19mm id x 1.5cs Nitrile Shore 70, Chrome Plated CZ114 Spindle, Polytube, Stainless Steel Circlip, D3 Tool Steel Blade.	1
6	Collar - Aluminium 2011 Disposable Collar	1
7	M5 x 25 Socket Cap Screws	4
8	O-ring 25 id. X 1.0 cs. Nitrile Shore 70	1
9	Upper Housing 304 Stainless Steel	1
10	Half O-rings EPDM Shore 70	2
11	Lower Gasket EPDM Shore 70	1
12	Lower Housing 304 Stainless Steel	1
13	Tool Kit - Tool Steel Long Socket, Tool Steel Hex Socket Driver Bit, Tool Steel Pozi Driver Bit	1



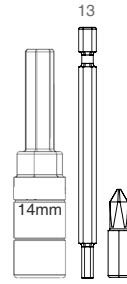
# Aladdin®



22mm & 28mm Aladdin EasyFit Isolator		
Item No.	Descriptions & Materials (WRAS Approved EPDM Seals)	No. Units
1	M10 x 1.5 Hex Half Nut (Stainless Steel)	1
2	Red and Blue Handle	2
3	M4 x 16 Thread Forming Screws (22mm Model) M5 x 16 Thread Forming Screws (28mm model)	4
4	Polyacetal Plastic Cap	1
5	Plug Assembly - High Tensile Brass Plug CZ114, Nitrile Boot EPDM Shore 70, O-ring 10mm id x 3cs Nitrile Shore 70 (22mm Model), O-ring 30mm id x 2cs Nitrile Shore 70 - (22mm Model), O-ring 10mm id x 3cs Nitrile Shore 70 (28mm model), O-ring 37mm id x 2cs Nitrile Shore 70 - (28mm model), Chrome Plated CZ114 Spindle, Polytube, Stainless Steel Circlip, D3 Tool Steel Blade	1
6	Collar - Aluminium 2011 Disposable Collar	1
7	M6 x 35mm Socket Cap Screws BZP M8 x 45mm Socket Cap Screws BZP	4
8	Oring 37mm id x 1.5 Nitrile Shore 70 (22mm) Oring 46mm id x 2 Nitrile Shore 70 (28mm)	1
9	Upper Housing 304 Stainless Steel	1
10	Half O-Ring Gaskets EPDM Shore 70	2
11	Lower Gasket EPDM Shore 70	1
12	Lower Housing 304 Stainless Steel	1
13	Tool Kit - Tool Steel Long Socket, Tool Steel Hex Socket Driver Bit, Tool Steel Pozi Driver Bit	1



<b>15mm/Imperial 1/2" Pro Aladdin EasyFit Isolator</b>		
Item No.	Descriptions & Materials (WRAS Approved EPDM Seals)	No. Units
1	M8 x 1.25 Hex Half Nut (Stainless Steel)	1
2	Red and Blue Handle (304 Stainless Steel)	2
3	M3 x 10 Pozi Pan - A2 SS Machine Screw	4
4	Polyacetal Plastic Cap	1
5	Plug Assembly - High Tensile Brass Plug CZ114 Boot EPDM Shore 70, O-ring 8mm id x 2cs Nitrile Shore 70, O-ring 19mm id x 1.5cs Nitrile Shore 70, Chrome Plated CZ114 Spindle, Polytube, Stainless Steel Circlip, D3 Tool Steel Blade.	1
6	Collar - Aluminium 2011 Disposable Collar	1
7	M5 x 25 Socket Cap Screws BZP	4
8	O-ring 25 id. X 1.0 cs. Nitrile Shore 70	1



For the **15mm/Imperial 1/2" Pro** measurement diagrams please refer to 22mm & 28mm diagrams on the previous page.

9	Upper Housing 304 Stainless Steel	1
10	Half O-rings EPDM Shore 70	2
11	Lower Gasket EPDM Shore 70	1
12	Lower Housing 304 Stainless Steel	1
13	Tool Kit - Tool Steel Long Socket, Tool Steel Hex Socket Driver Bit, Tool Steel Pozi Driver Bit	1

BS2871/EN1057 Metric Copper pipe (15mm suitable for a maximum wall thickness of 1mm)  
\*22 & 28mm EasyFit are also suitable for BS695 Imperial pipe\*

Aladdin EasyFit Isolator Specification	Copper BS2871 - EN1057	Copper BS2871 - EN1057	Plastic BS 7291
<b>15mm (Range 14.7mm - 15.045mm) Aladdin EasyFit Isolator WRAS Approved - On Sale Now!</b>			
	0.7mm wall thickness (type X)	1.0 mm wall thickness (type y)	
Max Operating Pressure	16 bar	16 bar	6 bar
Max Operating Temperature	85 deg. C	85 deg. C	82 deg. C
Manufacturers Warranty	10 yr	10 yr	5 yr
Pipe Size	15mm	15mm	15mm
Pipe Cutting Force	16 Nm	30 Nm	10 Nm
Max Static Pressure Installs at	16 bar	16 bar	10 bar
Max Dynamic Pressure Installs at	6 bar at 40 lit/min	6 bar at 40 lit/min	6 bar at 40 lit/min
<b>22mm &amp; 3/4" (Range 21.5mm - 22.2mm) Aladdin EasyFit Isolator WRAS Approved - On Sale Now!</b>			
	0.9 wall thickness (type X)	1.2 wall thickness (type y)	
Max Operating Pressure	16 bar	16 bar	6 bar
Max Operating Temperature	85 deg. C	85 deg. C	82 deg. C
Manufacturers Warranty	10 yr	10 yr	5 yr
Pipe Size	22mm & 3/4"	22mm	22mm
Pipe Cutting Force	30Nm	38Nm	20Nm
Max Static Pressure Installs at	16 bar	16 bar	10 bar
Max Dynamic Pressure Installs at	3 bar at 40 lit/min	3 bar at 40 lit/min	3 bar at 40 lit/min
<b>28mm &amp; 1" (Range 28.0mm - 28.6mm) Aladdin EasyFit Isolator WRAS Approved - On Sale Now!</b>			
	0.9 wall thickness (type X)	1.2 wall thickness (type y)	
Max Operating Pressure	16 bar	16 bar	6 bar
Max Operating Temperature	85 deg. C	85 deg. C	82 deg. C
Manufacturers Warranty	10 yr	10 yr	5 yr
Pipe Size	28mm	28mm	28mm
Pipe Cutting force	38Nm	45Nm	30Nm
Max Static Pressure Installs at	16 bar	16 bar	10 bar
Max Dynamic Pressure Installs at	3 bar at 40 lit/min	3 bar at 40 lit/min	3 bar at 40 lit/min
<b>15mm/Imperial 1/2" Pro (Range 14.7mm - 15.045mm) Will install on BS 2871, BS 659 (all grades of 1/2" imperial) and EZ 1057</b>			
	0.7mm wall thickness (type X)	1.0 mm wall thickness (type y)	
Max Operating Pressure	16 bar	16 bar	6 bar
Max Operating Temperature	85 deg. C	85 deg. C	82 deg. C
Manufacturers Warranty	10 yr	10 yr	5 yr
Pipe Size	15mm	15mm	15mm
Pipe Cutting Force	8 Nm	10 Nm	6 Nm
Max Static Pressure Installs at	16 bar	16 bar	10 bar
Max Dynamic Pressure Installs at	6 bar at 40 lit/min	6 bar at 40 lit/min	6 bar at 40 lit/min

# 22, 28 & 15mm/1/2" Pro Available Now!...

## Aladdin EasyFit Isolator: The Quick-fit Plumbing Isolation Valve for Pressurised Pipe

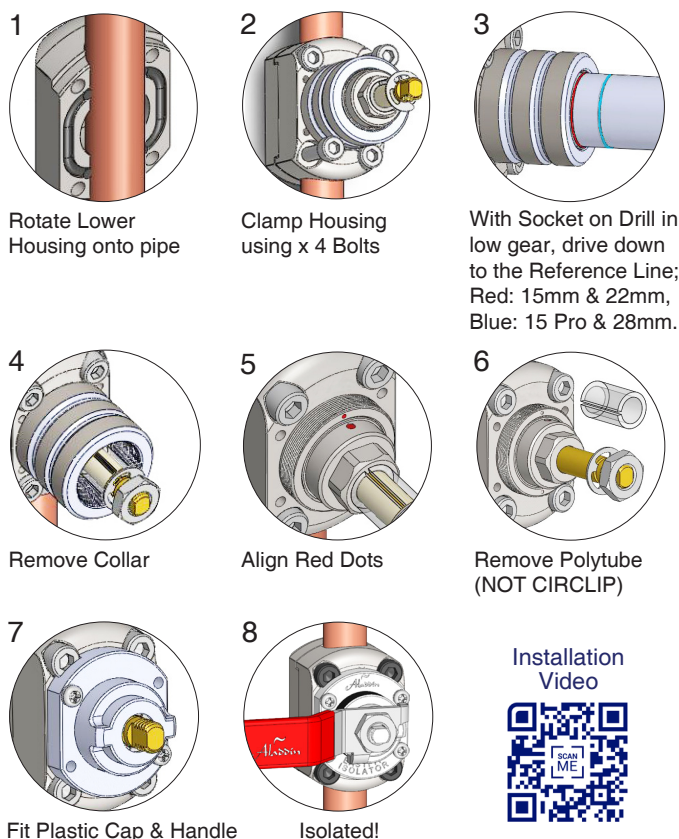
### When to use the Aladdin EasyFit Isolator?

- As an emergency shut-off valve for leaking pipe-work.
- As an emergency isolator where the stop-cock is seized or inaccessible.
- To isolate a heating system component for maintenance.
- To save time on cooling, drain down, refilling and returning to de-aerate.
- Where freezing is required, "no need to freeze" use Aladdin EasyFit Isolator to save time without any disruption to services.
- As a convenience device in multi-occupancy buildings (e.g. Hotels, shops and HMOs) where water supply needs to be worked on without inconveniencing other occupants.
- When Isolation is required for any water feed hot or cold.
- As a "Green" alternative, particularly to gas-freezing.
- To allow isolation in areas of a building where none exist.



### EasyFit Isolator - Quick Guide

Read full instructions before installing (incl. with product)



Installation Video



SINGLE USE ONLY

MUST BE installed using the re-usable Aladdin Tool Kit

### Aladdin EasyFit Isolator Product Code:

- 15mm:  
EZF03 Starter Pack (incl. Tool Kit)  
EZF01 Refill Pack  
EZF02 Tool Kit
- 22mm:  
EZF06 Starter Pack (incl. Tool Kit)  
EZF04 Refill Pack  
EZF05 Tool Kit
- 28mm:  
EZF09 Starter Pack (incl. Tool Kit)  
EZF07 Refill Pack  
EZF08 Tool Kit
- 15mm Pro:  
EZF16 Starter Pack (incl. Tool Kit)  
EZF17 Refill Pack  
EZF15 Tool Kit

### Aladdin EasyFit Isolator Product Dimensions:

- 15mm: 74mm(H), 50mm(L), 34mm(D), 0.40Kg  
22mm: 108mm(H), 75mm(L), 50mm(D), 1.23Kg  
28mm: 128mm(H), 93mm(L), 62mm(D), 2.63Kg  
15mm Pro: 84mm(H), 51mm(L), 34mm(D), 0.40Kg

### Packaging Dimensions and Weight:

- 15mm:  
EZF03: 140mm(H), 140mm(L), 40mm(D), 0.545Kg  
EZF01: 140mm(H), 140mm(L), 40mm(D), 0.418Kg  
EZF02: 90mm(H), 25mm(L), 25mm(D), 0.118Kg
- 22mm:  
EZF06: 220mm(H), 220mm(L), 55mm(D), 1.460Kg  
EZF04: 220mm(H), 220mm(L), 55mm(D), 1.250Kg  
EZF05: 150mm(H), 30mm(L), 30mm(D), 0.235Kg
- 28mm:  
EZF09: 220mm(H), 220mm(L), 55mm(D), 3.095Kg  
EZF07: 220mm(H), 225mm(L), 55mm(D), 2.860Kg  
EZF08: 150mm(H), 30mm(L), 30mm(D), 0.235Kg
- 15mm Pro:  
EZF16: 140mm(H), 140mm(L), 40mm(D), 0.545Kg  
EZF17: 140mm(H), 140mm(L), 40mm(D), 0.418Kg  
EZF15: 102mm(H), 25mm(L), 25mm(D), 0.128Kg

### Packaging Materials:

Cardboard Carton, Foam Insert,  
Full Colour Folded Paper Instructions.

### Aladdin EasyFit Isolator Approvals:

- WRAS 1910312  
KIWA 1909713



For more information visit:  
[www.aladdin-products.co.uk](http://www.aladdin-products.co.uk)

For more information visit [www.Aladdin-Products.co.uk](http://www.Aladdin-Products.co.uk), Aladdin Trade Mark 2326221, Patent: GB 2472265, Published 2021 v2.

