

Aladdin®

Autovents

SAVE £££'S
SAVE ENERGY



Why use Aladdin Autovents?

- Automatically bleed radiators and towel rails
- Keep radiators hot to the top
- Improve heat output and saves energy
- Easy to fit no need to drain the system
- No air = reduced corrosion = extended radiator life
- Reduces radiator noise



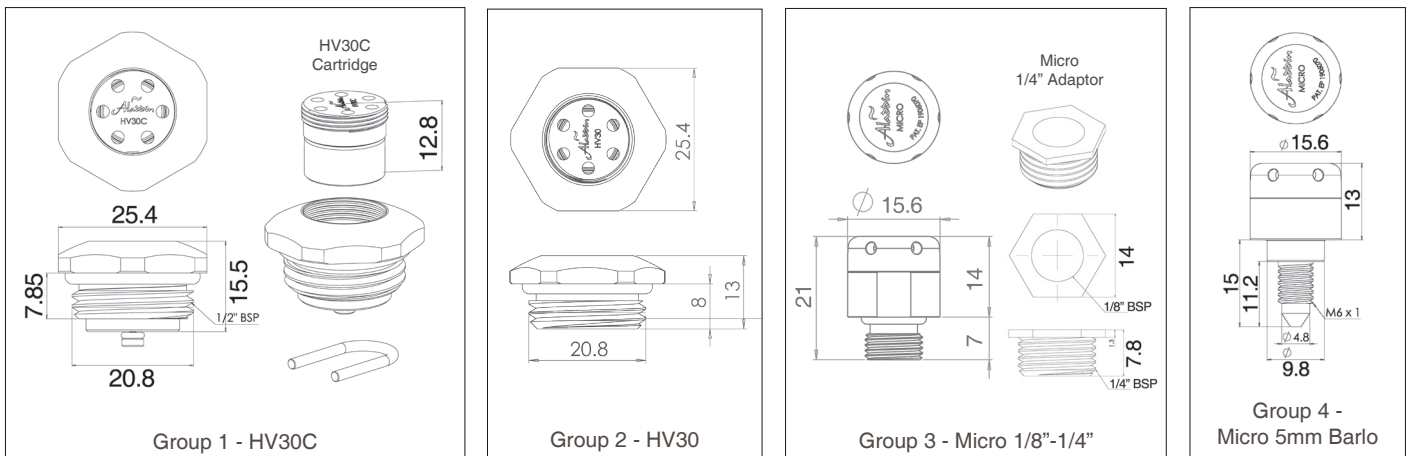
Fully automatic radiator de-aeration valves



Performance tested for
leak free, automatic venting

Model Specification					
	Model Type	Autovent Groups	BSP	Dimensions	Weight
1	HV30C, HV30C LT (LOW TEMP)	1	1/2"	15.5mm(H) x 25.4mm(A/F)	40g
2	HV30C CARTRIDGE HV30C CARTRIDGE LT (LOW TEMP)	1	1/2"	14.8mm(H) x 12.8mm(Ø)	10g
3	HV30 HV30 LT (LOW TEMP)	2	1/2"	13mm(H) x 25.4mm(A/F)	32g
4	HV30 UFH (Brass)	2	1/2"	13mm(H) x 25.4mm(A/F)	32g
5	BLANKING PLUG (HV30C+HV30)	1 + 2	1/2"	13mm(H) x 25.4mm(A/F)	24g
6	MICRO 1/8"-1/4", MICRO 1/8"-1/4" LT (LOW TEMP)	3	1/8"-1/4"	21.0mm(H) x 15.6mm(Ø) (with out Bush) 25.4mm(H) x 15.6mm(Ø) (with 1/4" Bush)	20g 25g
7	MICRO Barlo 5mm / 1/16"	4	5mm (1/16")	28mm(H) x 15.6mm(Ø)	16g
8	MICRO Barlo 6MM	4	6mm	28mm(H) x 15.6mm(Ø)	16g
9	MICRO 6mm	3	6mm	20mm(H) x 15.6mm(Ø)	16g
10	MICRO 7mm	3	7mm	20mm(H) x 15.6mm(Ø)	16g

Materials: Chromed Brass, Hygroscopic Presspahn Washers, Polyacetal Plastic Disk, EPDM Oring seals.



	Group 1 *HV30C	Group 2 *HV30 *HV30 UFH (Brass)	Group 3 - *MICRO 6mm *MICRO 7mm *MICRO 1/8"-1/4"	Group 4 - *MICRO 5mm (1/16") Barlo *MICRO 6mm Barlo
Radiators				
Standard Panel	✓	✓	-	-
Roll Top (Barlo/Center Rad)	-	-	-	6mm Barlo
Myson 45° Angled Roll Top	-	-	7mm	-
Towel Radiators Standard	✓	✓	-	-
Towel Radiators JIS	-	-	6mm	-
Cast Iron Radiators	-	-	1/8" or 1/4" BSP	-
Cotswold Classic (Panel in Tubular)	-	-	-	5mm Barlo
Old Myson (1960-70)	-	-	-	1/16" Barlo
Bisque Radiator	-	-	1/4" BSP	-
Underfloor Heating	-	UFH	-	-

Aladdin Autovent:

Fully automatic radiator de-aeration valves

Aladdin Autovents utilise hygroscopic material manufactured from high grade cellulose (Presspahn) which form a series of washers within the valve body.

A series of washers expand in sequence when in contact with water causing the valve to close, when dried the washers contract causing the valve to open releasing gases from the radiator.

Aladdin Autovent is the only Autovent that incorporates a unique 'positive dual-seal' back-up system which prevents leaks and extends the working life of the valve.

Installing an Aladdin Autovent is simple and doesn't require system draining.

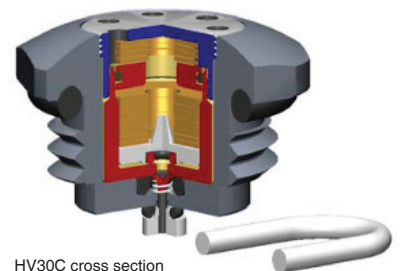
Vent cycles vary (interval between vents) with temperature and pressure; at higher temperatures and pressures the vent cycle is faster.

Operating Temperature (deg. C) at 1 Bar Pressure Cycle								
	20	30	40	50	60	70	80	90
Standard Autovent Vent Time (hrs)	-	-	6	5	3	1.5	1	0.5
Low Temperature (LT) Autovent Vent Time (hrs)	13	4.5	2.5	2	-	-	-	-

Models:

HV30C (cartridge version) and HV30 (non-cartridge version) fit ½" BSP tappings. Replacement cartridges are available for the HV30C model / the HV30 the complete valve is replaced after 5 years.

Underfloor heating Autovent (UFH) brass version for underfloor heating manifolds. Micro versions are available to fit 1/8" - 1/4", 6mm, 5mm and Barlo radiators.



HV30C cross section

Does the Autovent work on Closed and Open systems?

Yes. On a closed system there will be a small pressure drop as the dissolved air separates from the water around it; but any further drop would be due to loss of system water/leaks.

Can they work on negative pressure systems?

Yes the valve has a one-way valve fitted and will work on negative pressure systems.

Can corrosion inhibitors or leak-stop products be used with the valves?

Corrosion inhibitors can and we do recommend their use as corrosion leads to further gas collecting in radiators, fitting Autovents should reduce the need for inhibitors due to the reduction of air in the system. However, Leak-stop products may jam the valves, and we don't recommend their use.

Don't all Automatic de-aeration valves leak?

Aladdin Autovents do not leak and are guaranteed leak-free for life. They contain a safety cap which closes when water gets to the internal mechanism of the valve – this will operate at the end of the valve's life of 5 years.

What size valve do I need for my radiator?

The majority of radiators are ½" BSP – the threaded hole on the radiator measures 20mm diameter. For smaller tappings remove the bleed screw and measure. See chart opposite for sizing.

On Sale Now...



Aladdin Autovent Product Code:		Packaging Dimensions and Weight:
HV30C-1-PACK	Autovent 1/2"BSP 1 Pack	115mm(H), 80mm(W), 30mm(D), 41g
HV30C-2-PACK	Autovent 1/2"BSP 2 Pack	115mm(H), 80mm(W), 30mm(D), 81g
HV30C-10-PACK	Autovent 1/2"BSP 10 Pack	115mm(H), 80mm(W), 30mm(D), 371g
HV30C+BP-1-PACK	Autovent 1/2"BSP + Blanking Plug	115mm(H), 80mm(W), 30mm(D), 67g
HV30C-CART-1	Autovent 1/2"BSP Cartridge	115mm(H), 80mm(W), 30mm(D), 16g
HV30C-LT-1	Autovent 1/2"BSP Low Temperature	115mm(H), 80mm(W), 30mm(D), 16g
HV30C-LT-CART-1	Autovent 1/2"BSP Cartridge Low Temperature	115mm(H), 80mm(W), 30mm(D), 16g
HV30-1-PACK	Autovent 1/2"BSP 1 Pack	115mm(H), 80mm(W), 15mm(D), 36g
HV30-2-PACK	Autovent 1/2"BSP 2 Pack	115mm(H), 80mm(W), 15mm(D), 66g
HV30+BP-1-PACK	Autovent 1/2"BSP + Blanking Plug	115mm(H), 80mm(W), 15mm(D), 58g
HV30-LT-1	Autovent 1/2"BSP Low Temperature	115mm(H), 80mm(W), 15mm(D), 36g
HV30-UFH-1	Autovent 1/2"BSP Under-floor Heating	115mm(H), 80mm(W), 15mm(D), 36g
MICRO-1/8-1/4	Autovent Micro 1/8-1/4"BSP	115mm(H), 80mm(W), 15mm(D), 28g
MICRO-1/8-1/4-LT	Autovent Micro 1/8-1/4"BSP Low Temperature	115mm(H), 80mm(W), 15mm(D), 28g
MICRO-Barlo-5mm	Autovent Micro 5mm(1/16") BSP Barlo	115mm(H), 80mm(W), 15mm(D), 20g
MICRO-Barlo	Autovent Micro 6mm BSP Barlo	115mm(H), 80mm(W), 15mm(D), 23g
MICRO-6mm	Autovent Micro 6mm BSP	115mm(H), 80mm(W), 15mm(D), 20g
MICRO-7mm	Autovent Micro 7mm BSP	115mm(H), 80mm(W), 15mm(D), 24g

Aladdin Autovent Approvals:

BSRIA

Packaging Materials:

Poly-bag, Single Fold Card Insert, Full Colour.



Aladdin[®]

For more information visit:
www.aladdin-products.co.uk

iphe
 Industrial Associate

BSRIA