

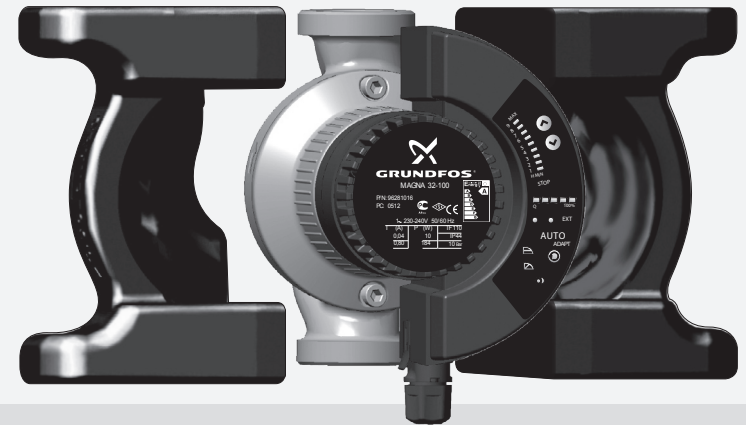
96281042 0910  
Repl. 96281042 1009  
ECM:1064671

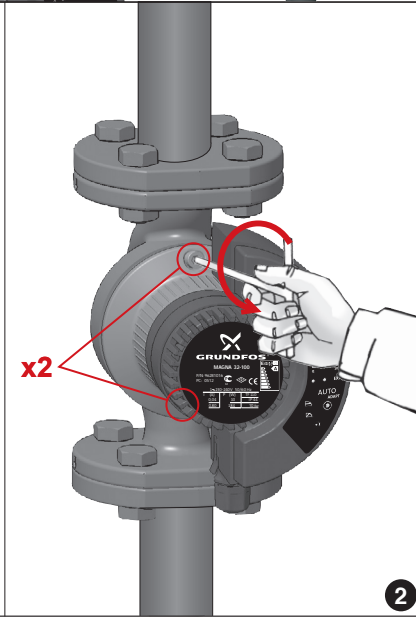
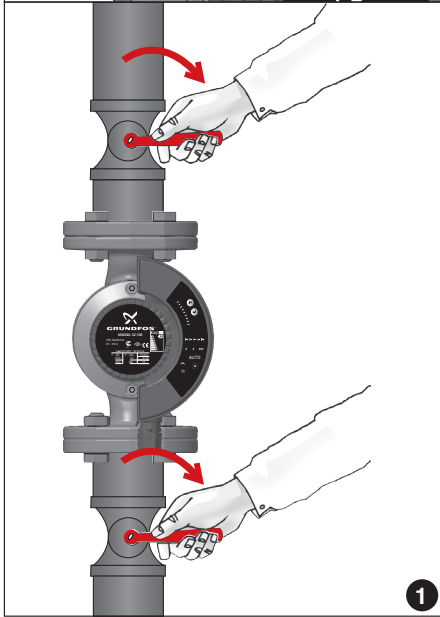
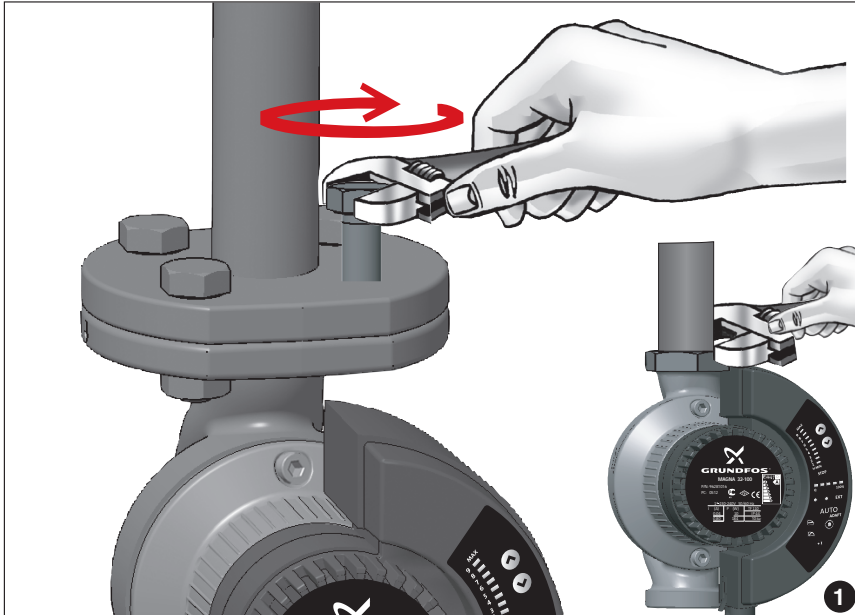
The name Grundfos, the Grundfos logo, and the payoff Be>Think>Innovate are registered trademarks owned by Grundfos Management A/S or Grundfos A/S, Denmark. All rights reserved worldwide.

# MAGNA

Series 2000

25-40/-60/-80/-100, 32-40/-60/-80/-100, 40-60/-80/-100 (D), 50-100





Notes:

---



---



---



---



---



---



---



---



---



---



---



---



---



---



---



---



---



---



---



---

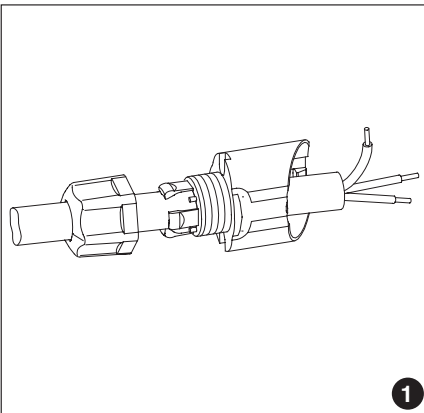


---

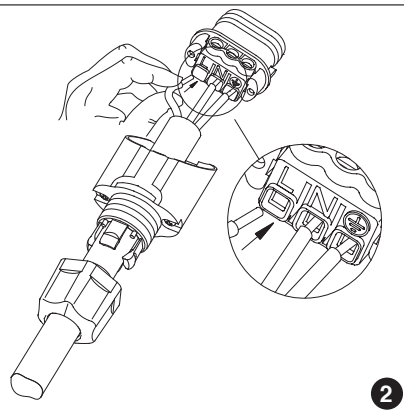


---

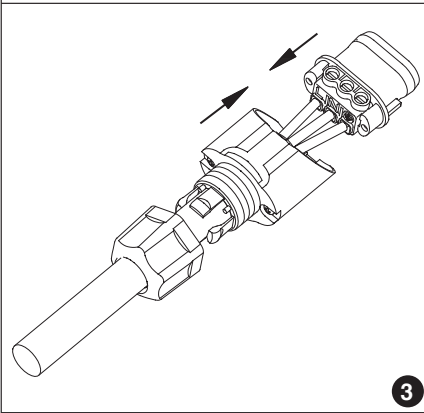




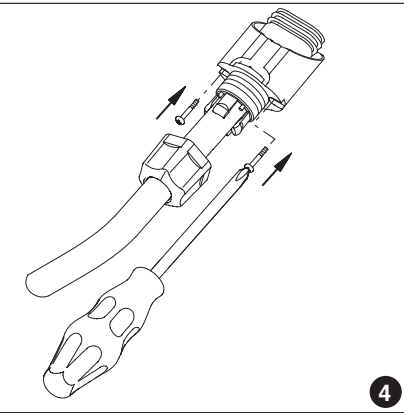
1



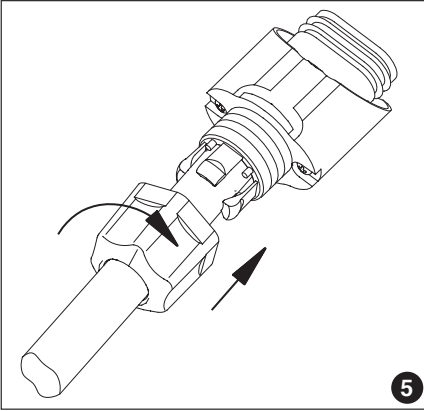
2



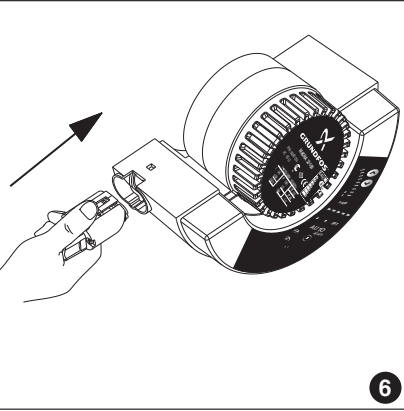
3



4



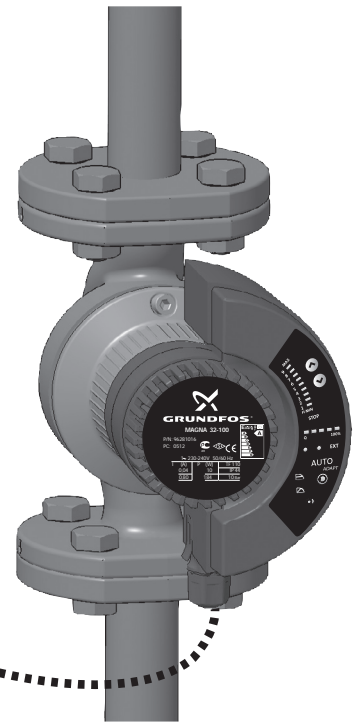
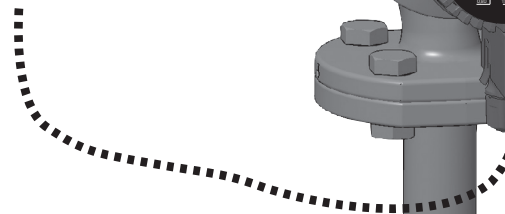
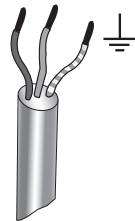
5



6

4

1~ 230-240 V  
50/60 Hz



5

